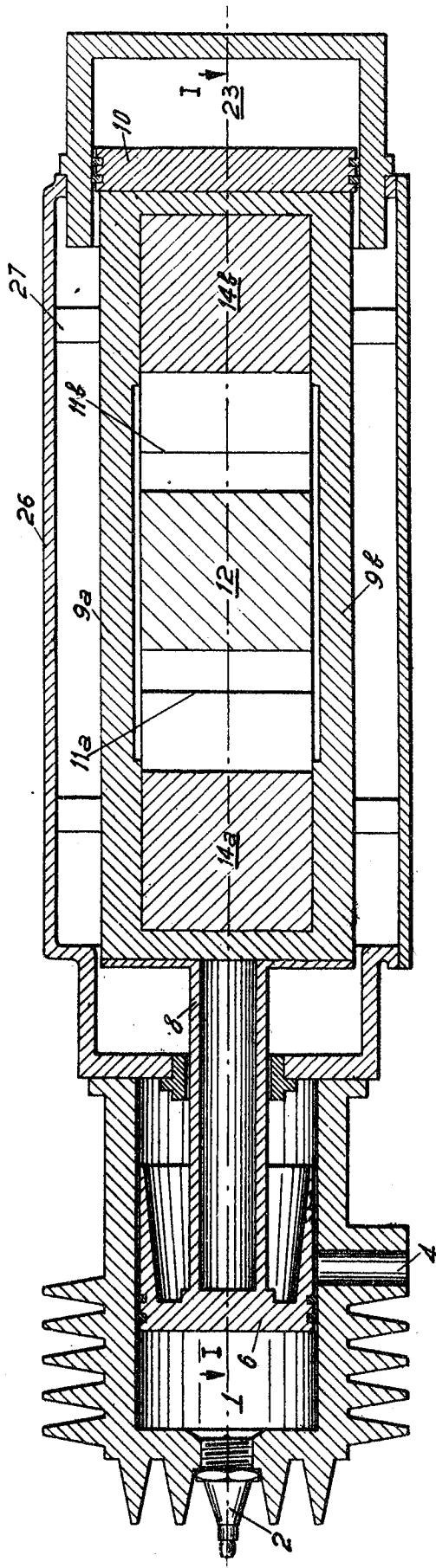


Fig. 1

INVENTORS
Jacques H. JARRET et al.

By *Messier P. Maier*
 Attorneys

Fig. 2



INVENTORS
Jacques H. JARRET et al.

By *Maxime Maxion*
Attorneys

Fig. 3

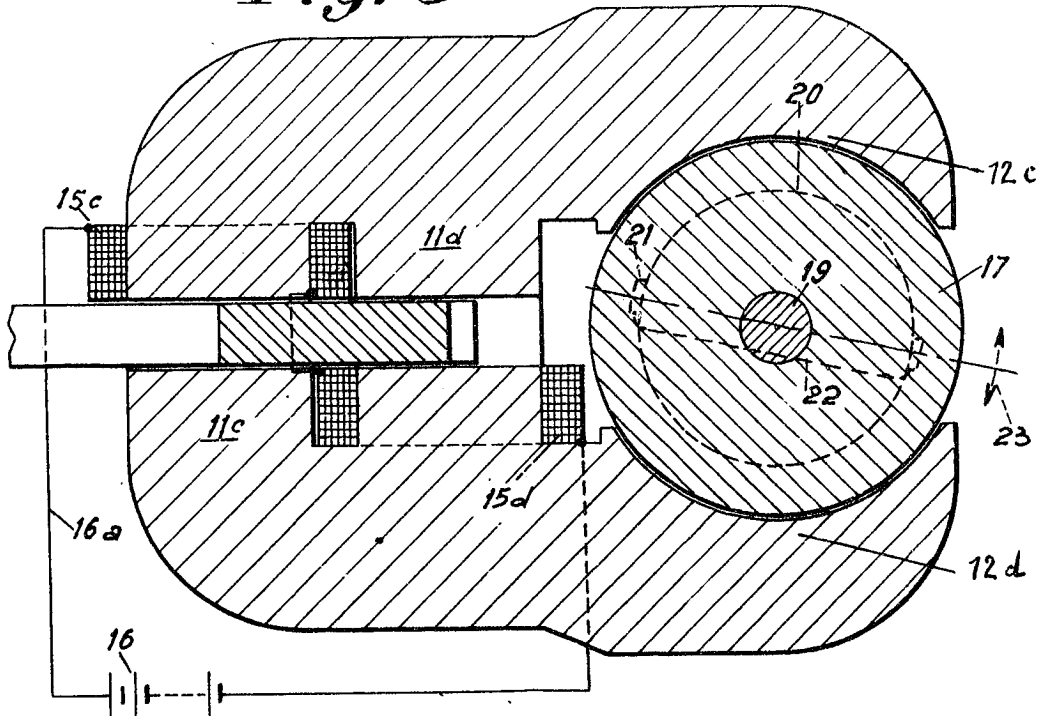
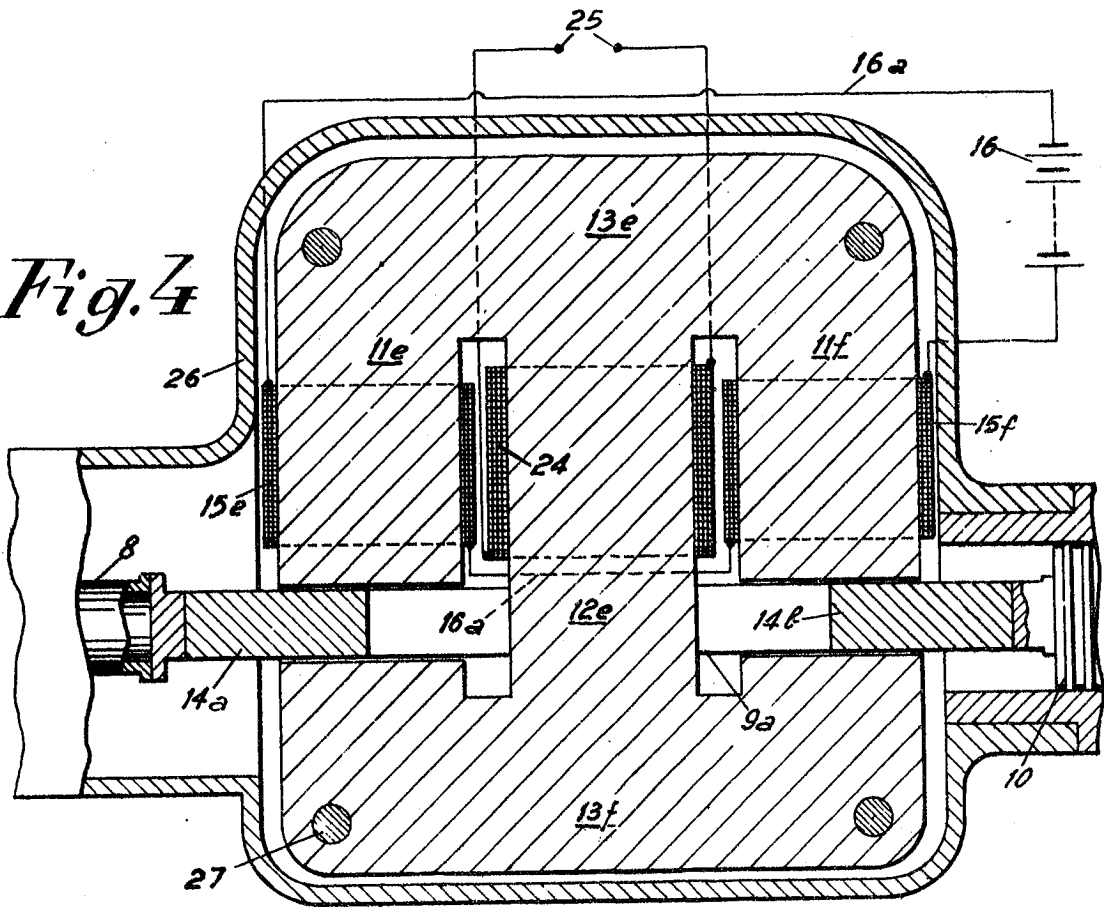


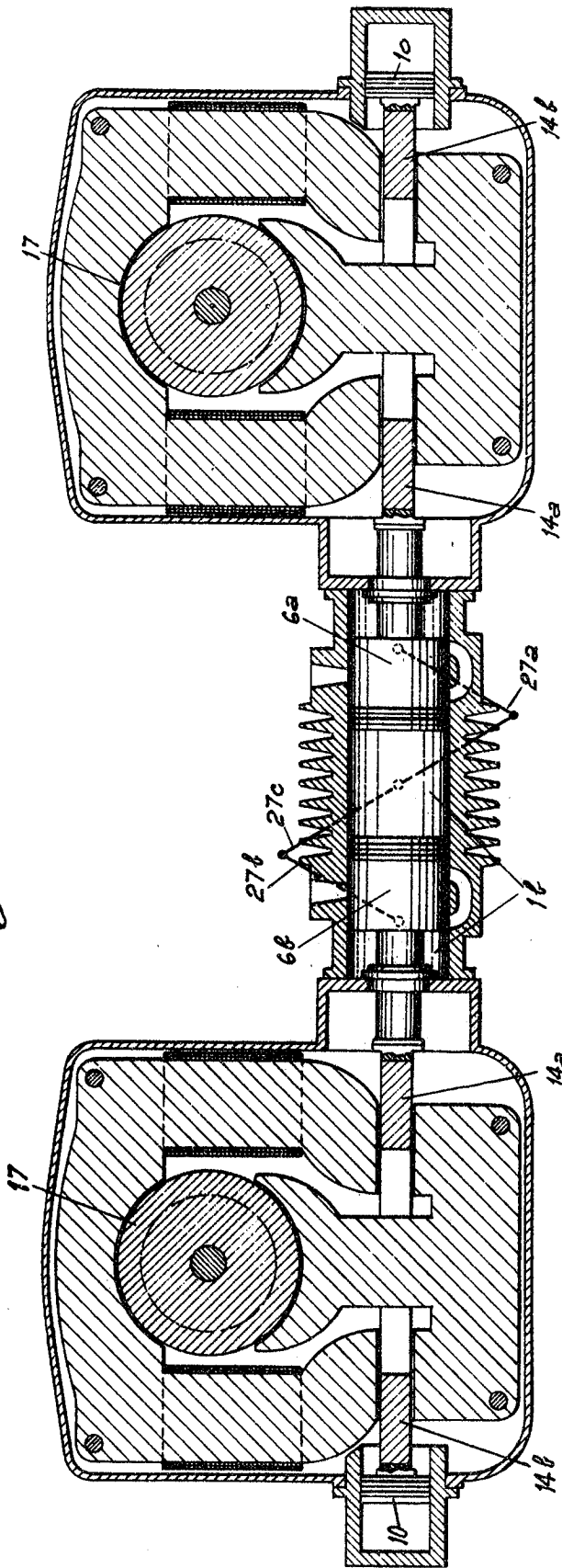
Fig. 4



INVENTORS
Jacques H. JARRET et al.

by *Maxime H. H. H.*
 Attorneys

Fig. 5



INVENTORS
Jacques H. JARRET et al.

By *Maissin & Maissin*
attorneys