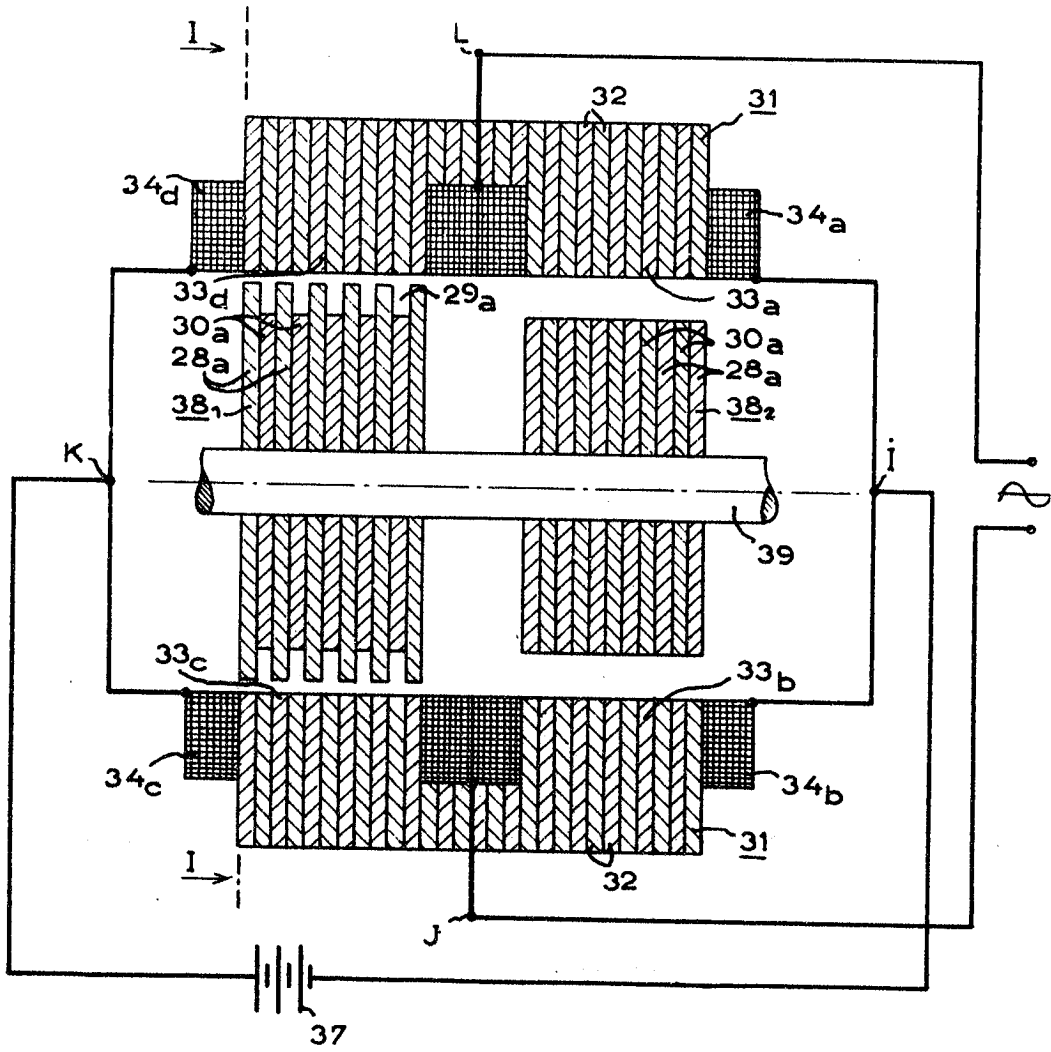


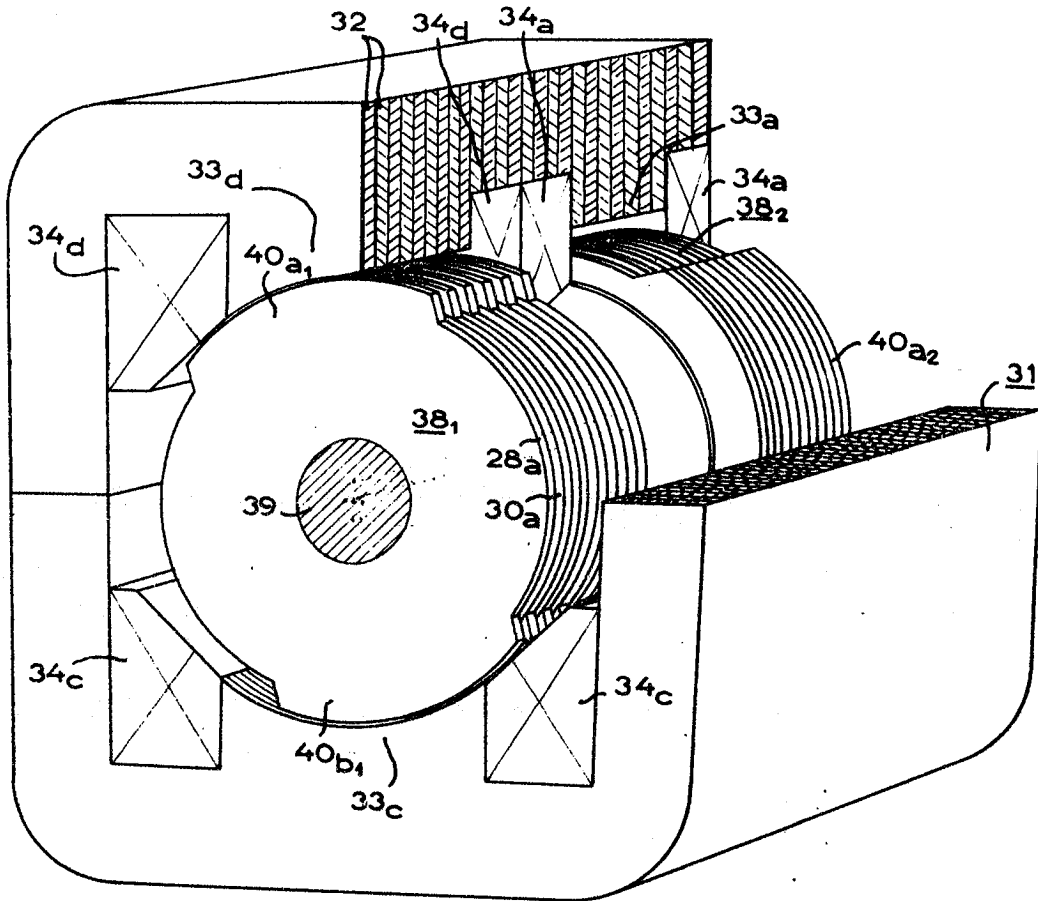
FIG. 1



Inventors:
Jean Jarret
Jacques Jarret

BY
Marion, Marion, Rodio & Bastien
ATTORNEYS

FIG. 2



Inventors:
Jean Jarret
Jacques Jarret

BY
Marion, Marion, Ardic & Bastien
ATTORNEYS

