

FIG. 1

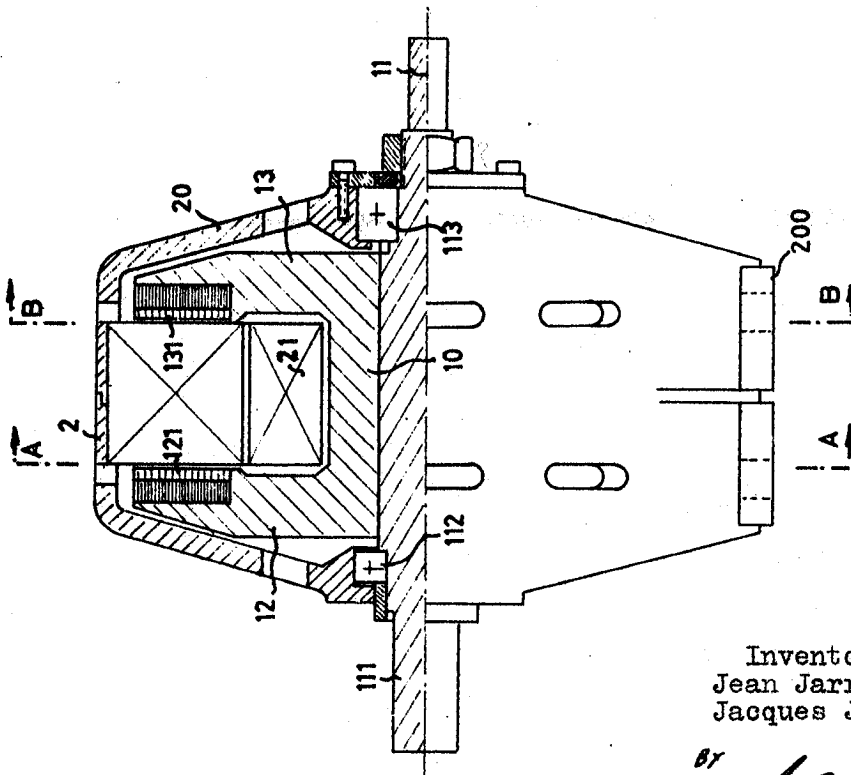
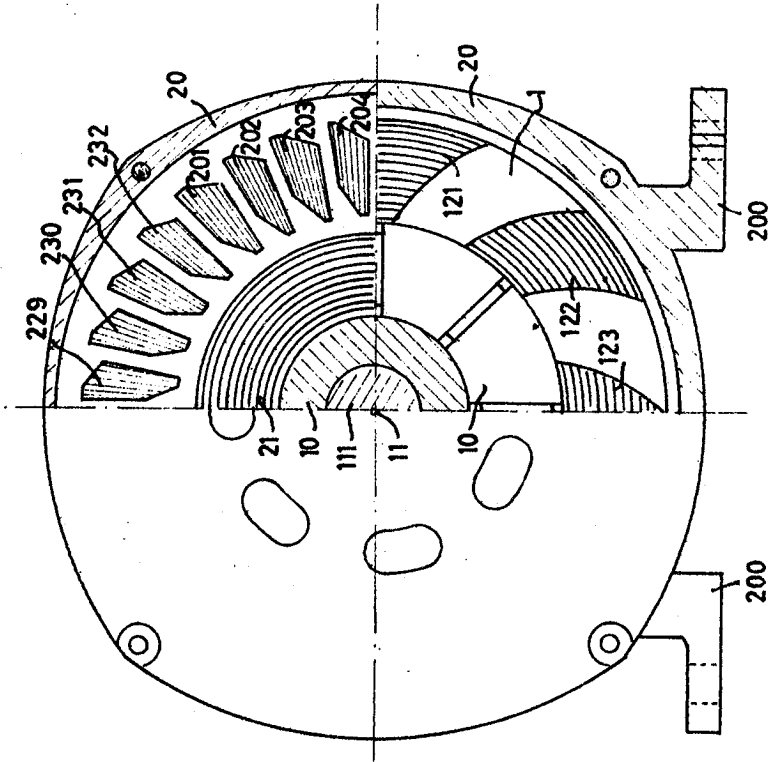


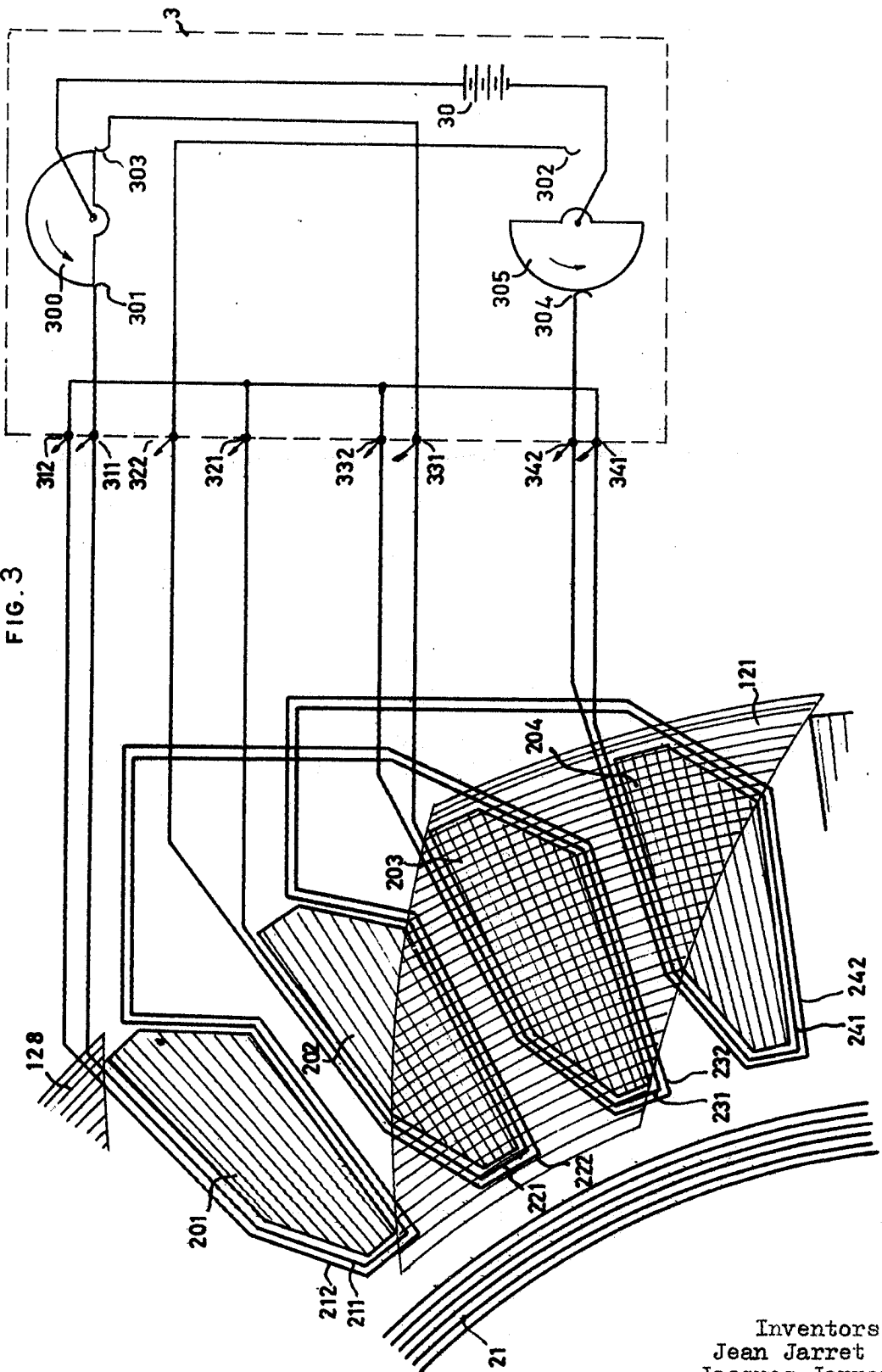
FIG. 2



Inventors:  
 Jean Jarret  
 Jacques Jarret

BY *Maxime, Louis & H. J. ...*  
 ATTORNEYS

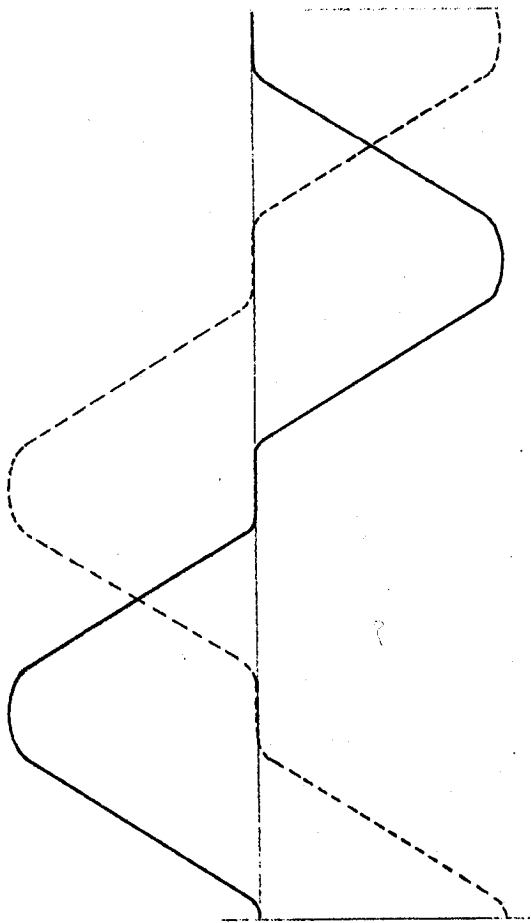
FIG. 3



Inventors:  
Jean Jarret  
Jacques Jarret

By  
*Marion Rodic*  
ATTORNEYS

FIG. 4



Inventors:  
Jean Jarret  
Jacques Jarret

BY  
*Maximilien & Adrien*  
ATTORNEYS