

FIG. 1

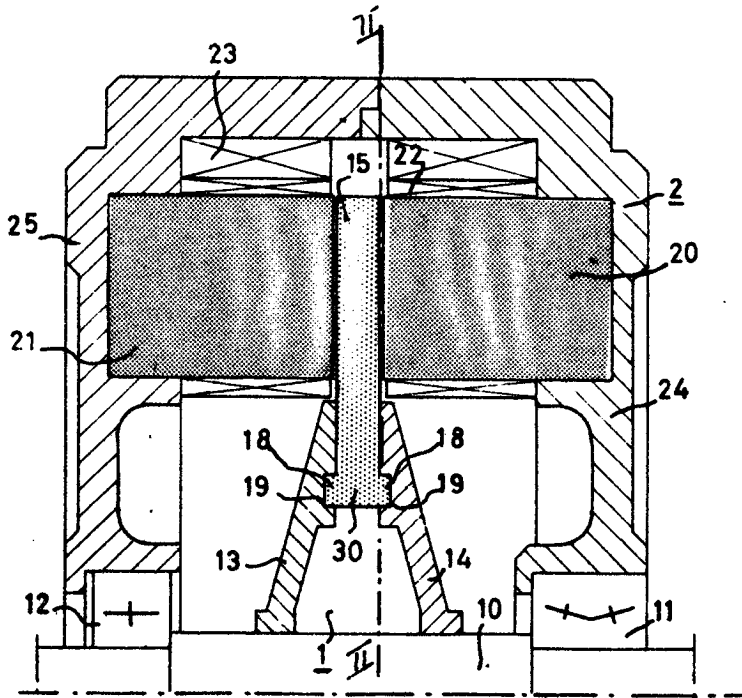


FIG. 2

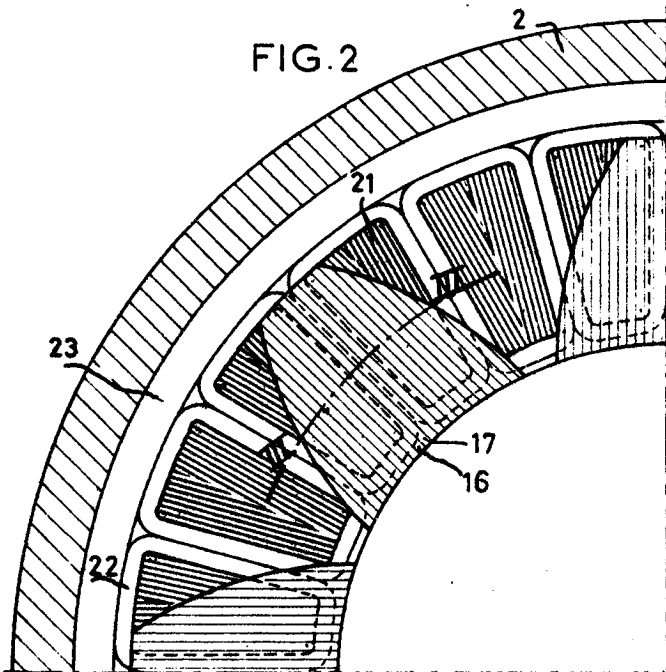
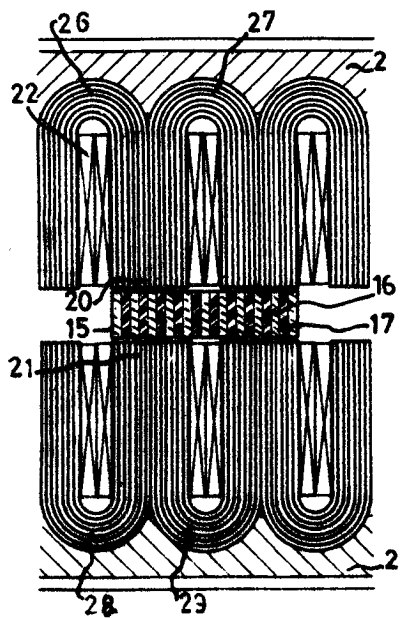


FIG. 3



Inventors:  
Jean Jarret  
Jacques Jarret

*Maun, Bria & Bria*  
ATTORNEYS

FIG. 5

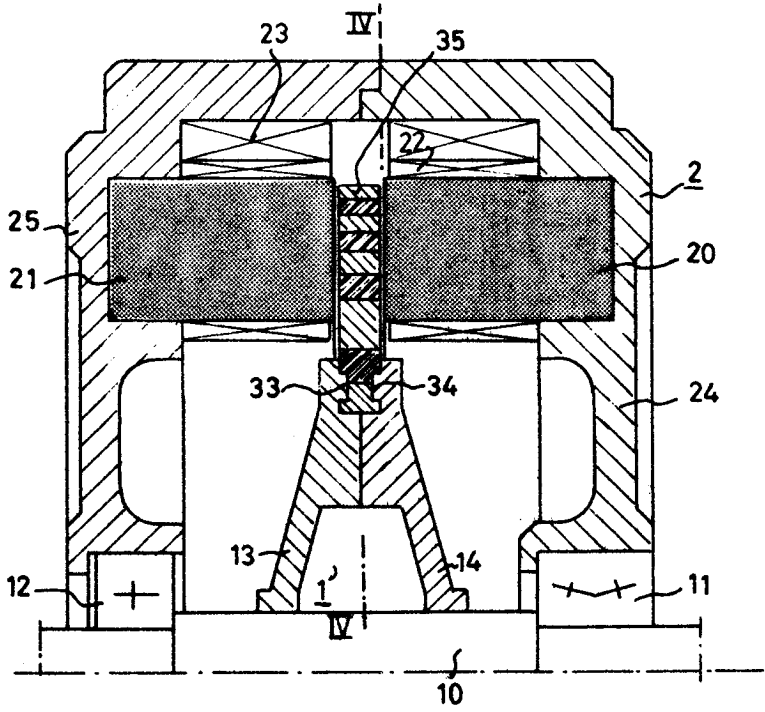
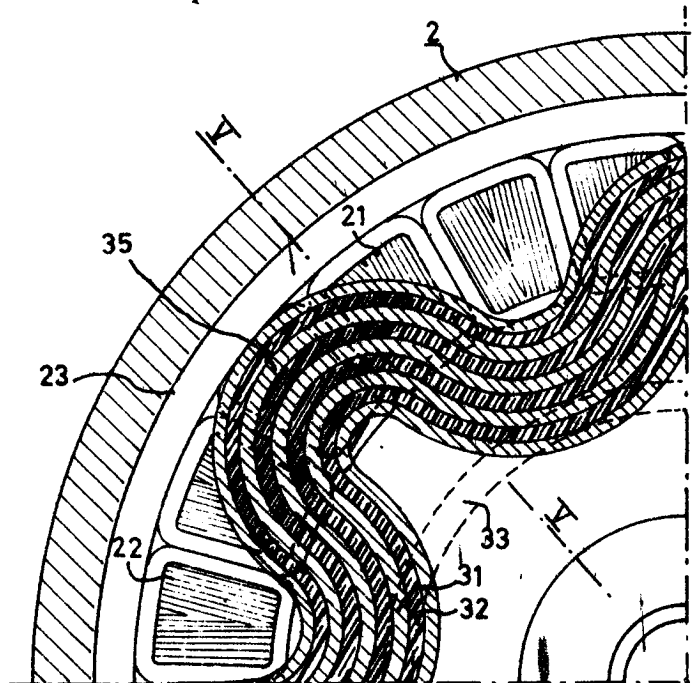


FIG. 4



Inventors:  
Jean Jarret  
Jacques Jarret

51  
*Marion, Robic & Robic*  
ATTORNEYS