

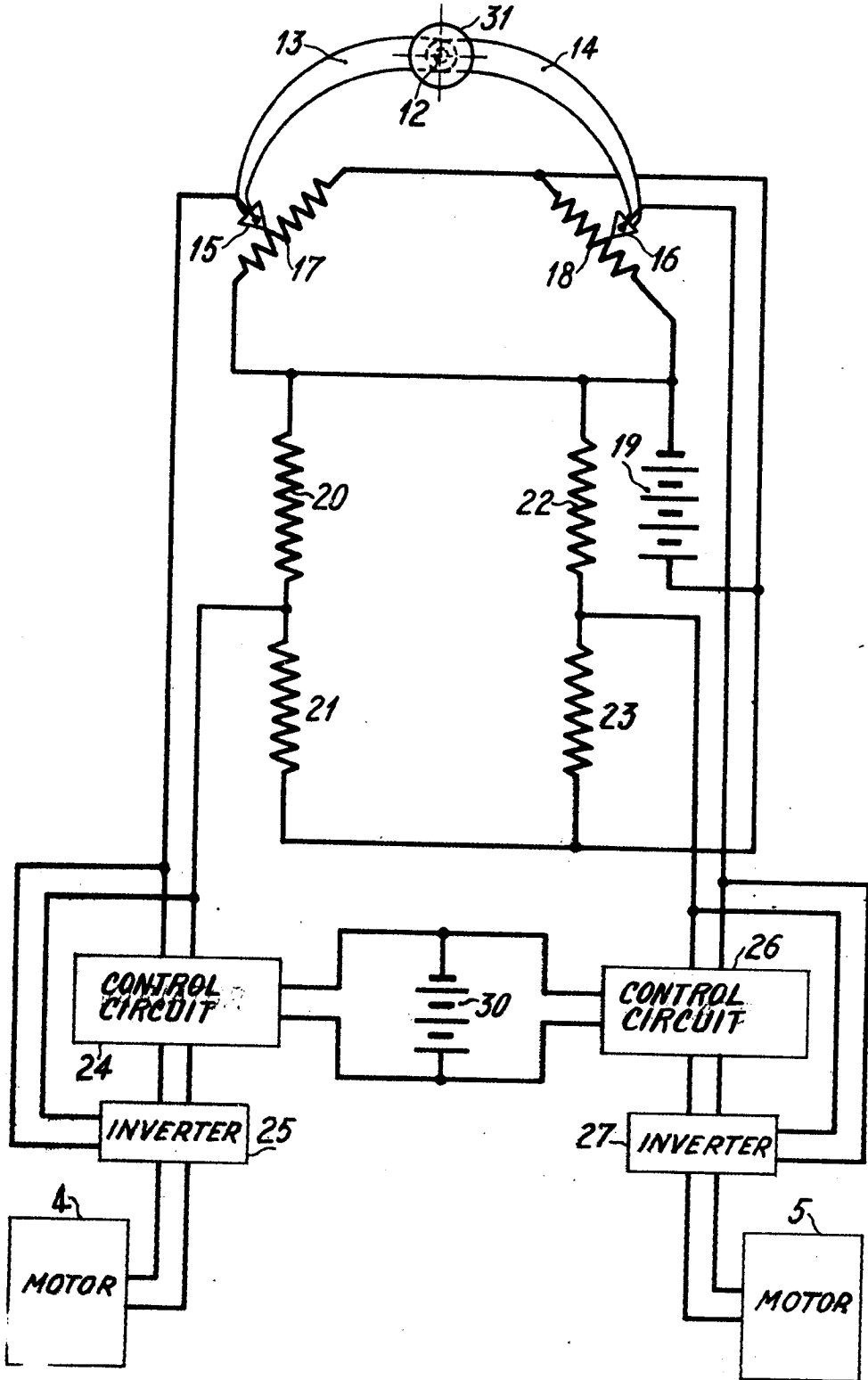
Inventors:
 Jean Jarret
 Jacques Jarret

By:

Maurice, Louis, Viala

Attorneys

Fig 4



Inventors:
 Jean Jarret
 Jacques Jarret

By:

Maxime, Pierre, Hubert

Attorneys.

A

Fig. 5

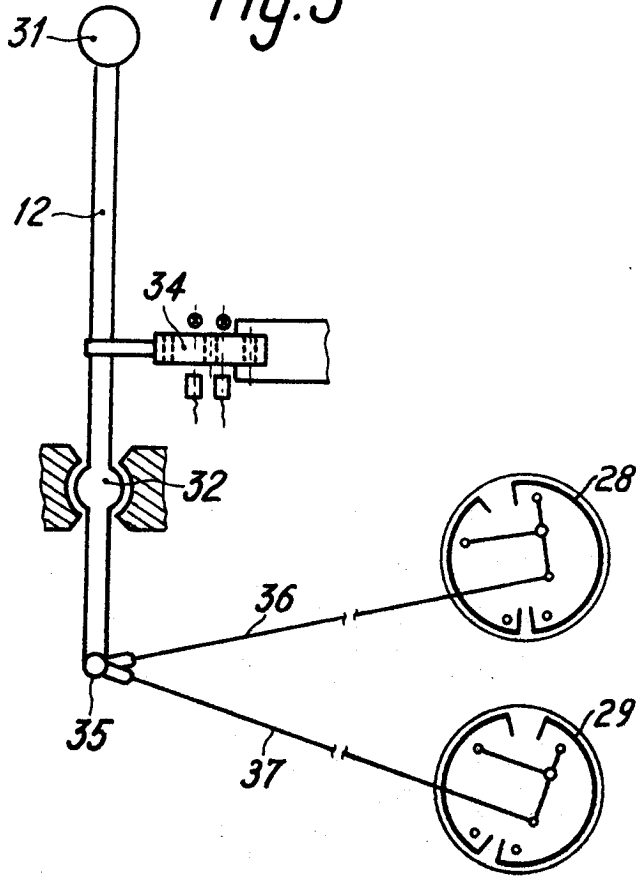
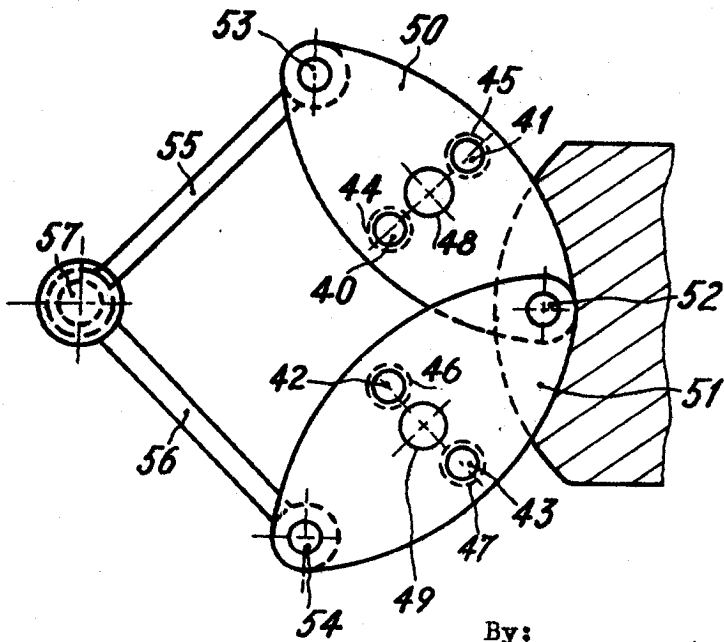


Fig. 6



Inventors:
Jean Jarret
Jacques Jarret

By:

Marion, Robin & Co.

Attorneys